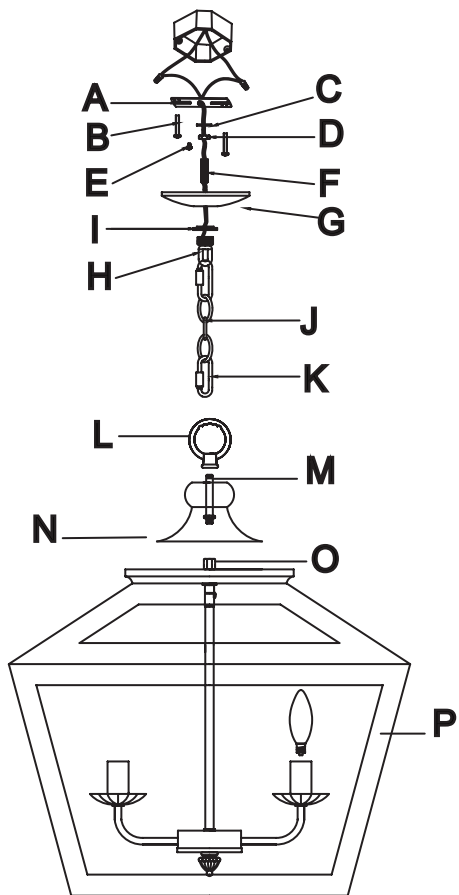


Assembly Instructions: 0839-6

IMPORTANT:

- ALL INSTALLATION WORK SHOULD BE DONE BY ACCREDITED PROFESSIONAL.
- SHUT OFF POWER SUPPLY AT FUSE OR CIRCUIT BREAKER!
- USE ONLY THE SPECIFIED BULBS. DO NOT EXCEED THE MAXIMUM WATTAGE!

For Customer Service, please contact the place of purchase.



PREPARING FOR INSTALLATION

Remove all of the contents from the carton. See the important notes above. Shut off the power at the circuit breaker and completely remove the old fixture from the ceiling, including the old mounting strap.

1. From the parts bag remove the mounting strap assembly. One end of nipple (F) should be attached to mounting strap (A) with washer and hex nuts (C & D) in place. The other end should have canopy loop (H) attached.
2. Attach mounting strap (A) to the junction box using mounting screws (B) and a screwdriver. Tighten securely. Unscrew canopy loop collar (I) from canopy loop (H). Pass canopy (G) over the mounted canopy loop to test the height. Approximately half of the canopy loop's exterior threads should be exposed, and the canopy loop collar should fit snugly onto the canopy loop. Remove canopy (G) and adjust the height of nipple (F) and canopy loop (H) until the desired height is reached.

ASSEMBLING THE FIXTURE

3. Measure to determine the correct length of chain needed for proper hanging height. If necessary, use a pair of pliers to open and remove any excess chain. Attach one of chain connectors (K) to each end of the chain (J) and attach one end of the chain with chain connector (K) to attach the chain to top loop (L). Pass the fixture wires through top loop (L). Pull the wires until taut. Feed the fixture wires up through the chain (every three links or so), pulling the wires until taut. Use one end of the chain with chain connector (K) attached to secure the chain to the canopy loop (H). Close the chain connector on both ends to secure. Slide canopy loop collar (H) and canopy (G) down onto the chain. Pull the wires until taut. Trim the wires to the desired

CONNECTING THE WIRES

4. Have an assistant support the weight of the fixture while completing the wiring. Cut away excess wire. Attach the fixture's wires to the house wires which were pulled earlier from the junction box through the mounting strap (B). Connect black to black (or smooth); white to white (or ribbed); ground to ground (green or copper). Twist the ends of the wire pairs together, and then twist on a wire connector. Make sure all twists are in the same direction. If there is no ground wire (green or copper) coming from the junction box, locate ground screw (E) on the mounting strap and wrap the fixture's ground wire around the green ground screw (E). Use a screwdriver to secure ground screw (E) onto the mounting bracket. Tuck all wires neatly into the junction box.

How to Identify the Fixture's Wires			House Wires
Hot	Neutral	Ground	
Smooth	Ribbed	Bare Metal, Green, or Green Inner Thread	Hot
Black	White		Neutral
Black Inner Thread	White Inner Thread		Ground

FINISHING THE INSTALLATION

5. Push canopy (G) up to the ceiling and slide canopy loop collar (I) up beneath the canopy. Tightly thread canopy loop collar (I) onto canopy loop (H) to secure canopy (G) in place.
6. Thread the nipple (M) onto the post (O) of fixture body (P). Next put the cap (N) over the nipple (M) before fixing top loop (L) onto nipple (N). Screw on until tight.

Install light bulbs (not included) in accordance with the fixture's specifications. Do not exceed maximum recommended wattage.

Your installation is now complete. Turn on the power and test the fixture.

CLEANING TIPS

Treat the fixture gently! Regular cleaning will reduce the need for deep cleaning. For regular cleaning, turn off the light and wipe down the fixture with a clean lint-free cotton or microfiber cloth. Never spray cleaner directly onto the fixture.

